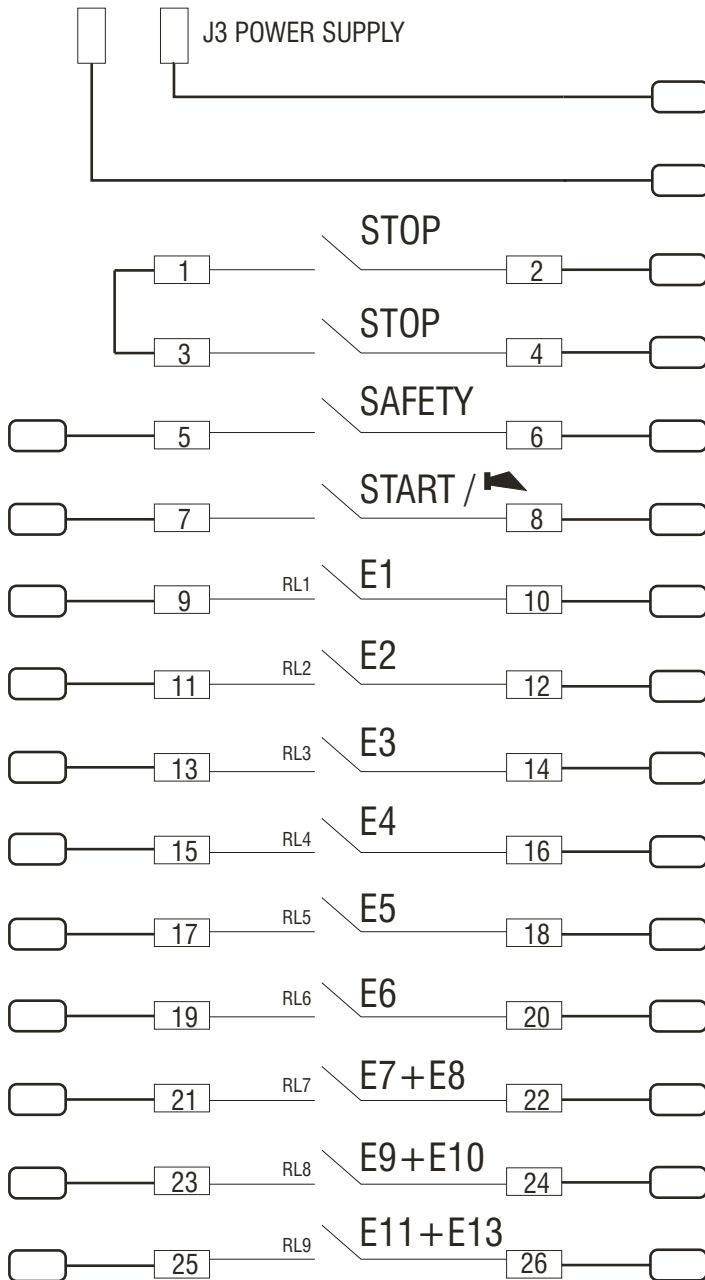


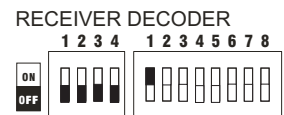
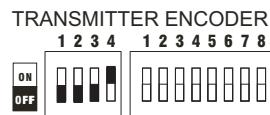
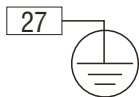
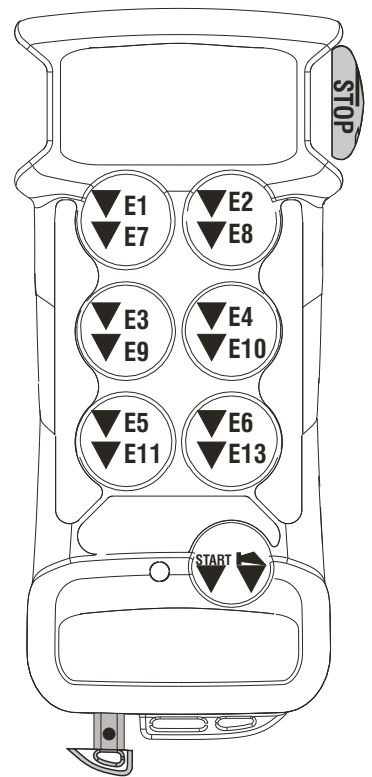
LK 6-2-F



24V-48VAC/DC
POWER SUPPLY
(POLARITY
NOT IMPORTANT)

THE STOP RELAY IS THE
PRIMARY SAFETY
ELEMENT, AND MUST BE
CONNECTED TO THE MAIN
CONTACTOR OR SIMILAR

THE SAFETY RELAY MUST BE
CONNECTED IN SERIES WITH THE
SUPPLY TO ALL MOTION OUTPUTS



FREQUENCY: _____ MHz (FACTORY SET IN AUTO MODE)

THE SYSTEM IS SUPPLIED IN 'AUTO' FREQUENCY MODE. IN MOST FIXED INSTALLATIONS (SUCH AS OVERHEAD CRANES) IT IS ADVISABLE TO SET THE UNIT TO A MANUAL FREQUENCY. SEE THE HANDBOOK FOR DETAILS.



PO Box 5738
Brendale DC QLD 4500
Tel: 07 3889 9329
Fax: 07 3889 9330
support@industryiq.com.au

DRAWING
LK6-2-F

REVISION
E

DRAWN
MDC 22.05.13