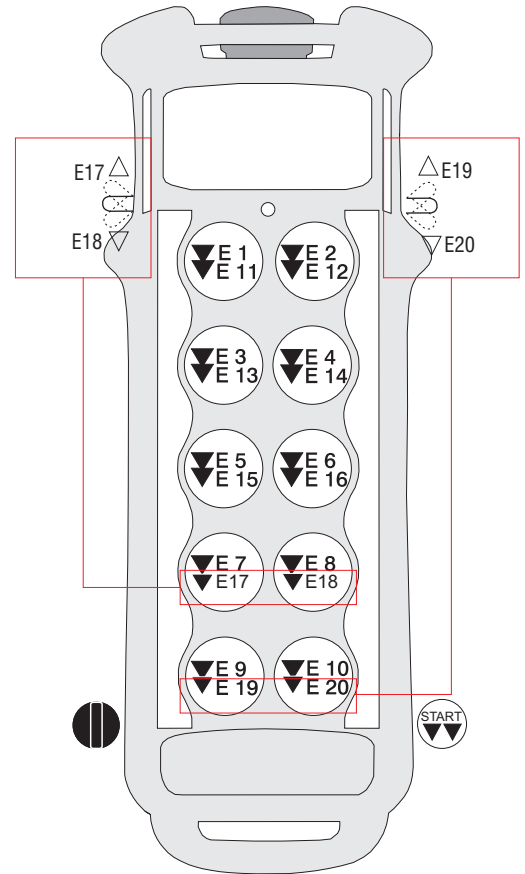
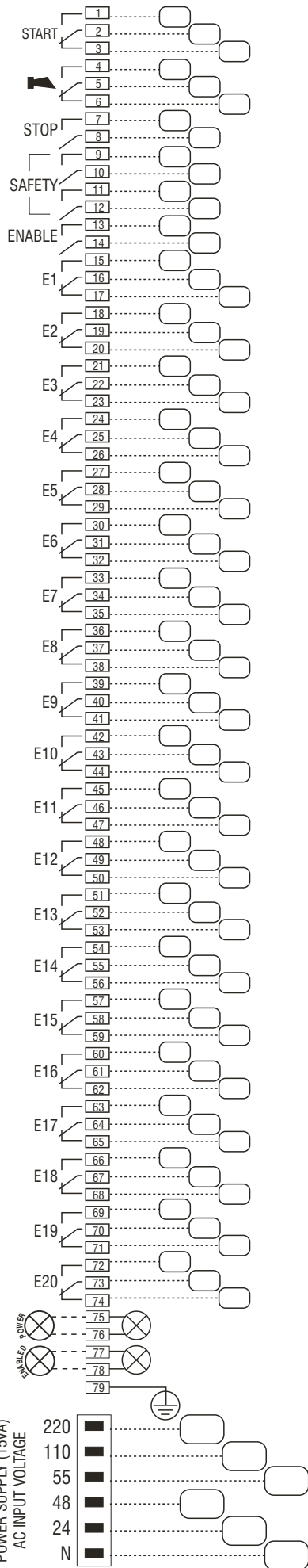


MK10-2-B1

SHOWN WITH OPTIONAL TOGGLE SWITCHES (2)



PO Box 5738
 Brendale DC QLD 4500
 Tel: 07 3889 9329
 Fax: 07 3889 9330
 support@industryiq.com.au

SERIAL NUMBER		REV	
USER SETTINGS		FREQUENCY: MHz	
ON		OFF	
1 2 3 4 5 6 7 8		8 7 6 5 4 3 2 1	
MOTHERBOARD DIP SWITCHES		ON	
OFF		1 2 3 4 5 6 7 8	