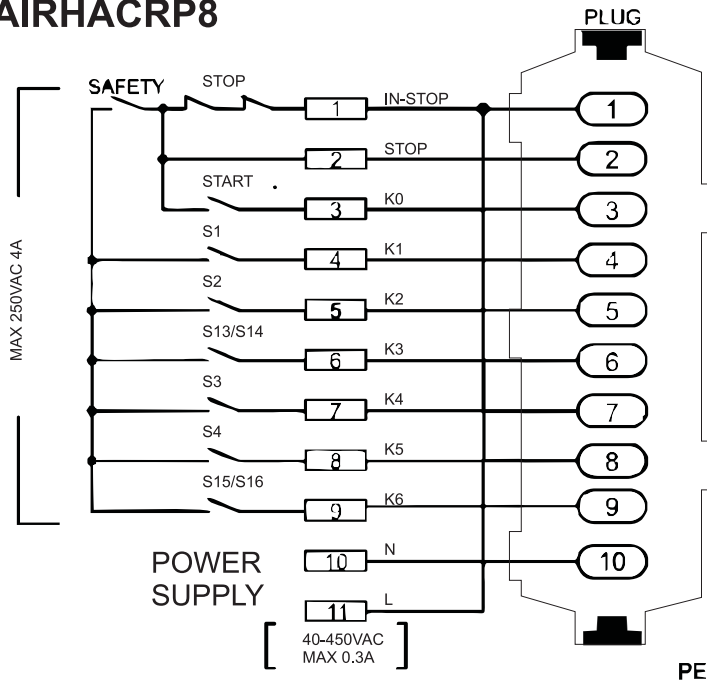


A6-2-H1

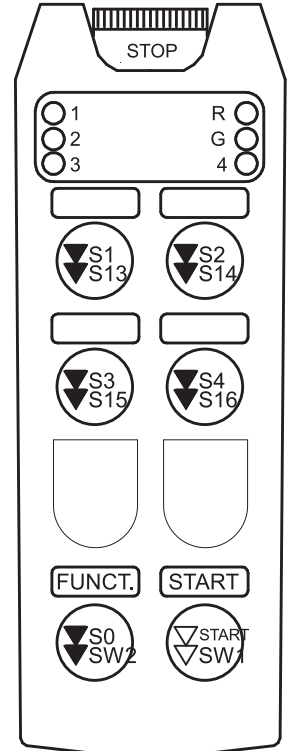


AIRHACRP8



THE STOP RELAY IS THE PRIMARY SAFETY ELEMENT, AND MUST BE CONNECTED TO THE MAIN CONTACTOR OR SIMILAR.

THE SAFETY RELAY MUST BE CONNECTED IN SERIES WITH THE SUPPLY TO ALL MOTION OUTPUTS



- ▼ ACTIVATES SAFETY RELAY
- ▽ DOES NOT ACTIVATE SAFETY RELAY
- ▽ LATCHING COMMAND - DOES NOT ACTIVATE SAFETY RELAY

FACTORY SETTINGS			
FUNCTION	<input checked="" type="checkbox"/> P1	<input type="checkbox"/> P2A P2B	<input type="checkbox"/> P3 <input type="checkbox"/> P4
	K11=ENA K12=S0 momentary	K11=ENA K12=S0 latched	K11 / K12 S0 sel. 1/2 sel.1+2/1/2
PAIR	<input checked="" type="checkbox"/> 1.0	<input type="checkbox"/> 2.0	<input type="checkbox"/> 2.1
PIN Start UP	<input checked="" type="checkbox"/> ENABLE <input type="checkbox"/> DISABLE		
PIN CODE	1 START	2 S0	3 START
Switch-OFF	<input type="checkbox"/> OFF	<input type="checkbox"/> 2'	<input checked="" type="checkbox"/> 5' <input type="checkbox"/> 10'
RF Power	<input type="checkbox"/> Low <input checked="" type="checkbox"/> Norm. <input type="checkbox"/> High <input type="checkbox"/> Max		
Range limiting	<input checked="" type="checkbox"/> OFF <input type="checkbox"/> Area1 <input type="checkbox"/> Area2 <input type="checkbox"/> Area3		
Low pwr start-up	<input checked="" type="checkbox"/> OFF <input type="checkbox"/> Sect.1 <input type="checkbox"/> Sect.2 <input type="checkbox"/> Sect.3		
Clear Ch. Level	<input checked="" type="checkbox"/> Norm. <input type="checkbox"/> High <input type="checkbox"/> None		
Receiver antenna	<input type="checkbox"/> ENABLE <input checked="" type="checkbox"/> DISABLE		
Dip switch	Transmitting Unit		Receiving Unit
1 2	1 2	1 2	1 2
<input type="checkbox"/> ON	915-928Mhz	Reserved	915-928Mhz MSC
<input type="checkbox"/> OFF	433-434Mhz	Reserved	433-434Mhz Disable
Radio mode	<input checked="" type="checkbox"/> AUTO <input type="checkbox"/> MANUAL		
Bank Group	<input checked="" type="checkbox"/> 0 <input type="checkbox"/> 1 <input type="checkbox"/> 2 <input type="checkbox"/> 3 <input type="checkbox"/> 4 <input type="checkbox"/> 5 <input type="checkbox"/> 6 <input type="checkbox"/> 7		
Channel Bank	<input checked="" type="checkbox"/> 0 <input type="checkbox"/> 1 <input type="checkbox"/> 2 <input type="checkbox"/> 3		
Logic Channel	<input checked="" type="checkbox"/> 0 <input type="checkbox"/> 1 <input type="checkbox"/> 2 <input type="checkbox"/> 3 <input type="checkbox"/> 4 <input type="checkbox"/> 5 <input type="checkbox"/> 6 <input type="checkbox"/> 7		
Button delay	<input checked="" type="checkbox"/> OFF <input type="checkbox"/> 0.5S <input type="checkbox"/> 1S <input type="checkbox"/> 1.5S		
All latched relay	<input type="checkbox"/> ENABLE <input checked="" type="checkbox"/> DISABLE		
Data Log Manag.	<input type="checkbox"/> ON <input checked="" type="checkbox"/> OFF		
Service Control	<input checked="" type="checkbox"/> ON <input type="checkbox"/> OFF		
CANopen	<input type="checkbox"/> ON <input checked="" type="checkbox"/> OFF		
Output configurations	<input checked="" type="checkbox"/> ENABLE <input type="checkbox"/> DISABLE		
	Programming file: <u>LD00002-**.par</u>		

INSTALLER SETTINGS			
FUNCTION	<input type="checkbox"/> P1	<input type="checkbox"/> P2A P2B	<input type="checkbox"/> P3 <input type="checkbox"/> P4
	K11=ENA K12=S0 momentary	K11=ENA K12=S0 latched	K11 / K12 S0 sel. 1/2 sel.1+2/1/2
PIN Start UP	<input type="checkbox"/> ENABLE <input type="checkbox"/> DISABLE		
PIN CODE	1	2	3
Switch-OFF	<input type="checkbox"/> OFF <input type="checkbox"/> 2' <input type="checkbox"/> 5' <input type="checkbox"/> 10'		
RF Power	<input type="checkbox"/> Low <input type="checkbox"/> Norm. <input type="checkbox"/> High <input type="checkbox"/> Max		
Range limiting	<input type="checkbox"/> OFF <input type="checkbox"/> Area1 <input type="checkbox"/> Area2 <input type="checkbox"/> Area3		
Low pwr start-up	<input type="checkbox"/> OFF <input type="checkbox"/> Sect.1 <input type="checkbox"/> Sect.2 <input type="checkbox"/> Sect.3		
Clear Ch. Level	<input type="checkbox"/> Norm. <input type="checkbox"/> High <input type="checkbox"/> None		
Receiver antenna	<input type="checkbox"/> ENABLE <input type="checkbox"/> DISABLE		
Dip switch	Transmitting Unit		Receiving Unit
1 2	1 2	1 2	1 2
<input type="checkbox"/> ON	915-928Mhz	Reserved	915-928Mhz MSC
<input type="checkbox"/> OFF	433-434Mhz	Reserved	433-434Mhz Disable
Radio mode	<input type="checkbox"/> AUTO <input type="checkbox"/> MANUAL		
Bank Group	<input type="checkbox"/> 0 <input type="checkbox"/> 1 <input type="checkbox"/> 2 <input type="checkbox"/> 3 <input type="checkbox"/> 4 <input type="checkbox"/> 5 <input type="checkbox"/> 6 <input type="checkbox"/> 7		
Channel Bank	<input type="checkbox"/> 0 <input type="checkbox"/> 1 <input type="checkbox"/> 2 <input type="checkbox"/> 3		
Logic Channel	<input type="checkbox"/> 0 <input type="checkbox"/> 1 <input type="checkbox"/> 2 <input type="checkbox"/> 3 <input type="checkbox"/> 4 <input type="checkbox"/> 5 <input type="checkbox"/> 6 <input type="checkbox"/> 7		
Button delay	<input type="checkbox"/> OFF <input type="checkbox"/> 0.5S <input type="checkbox"/> 1S <input type="checkbox"/> 1.5S		
All latched relay	<input type="checkbox"/> ENABLE <input type="checkbox"/> DISABLE		



PO Box 5738
Brendale DC QLD 4500
Tel: 07 3889 9329
Fax: 07 3889 9330
support@industryiq.com.au

SERIAL NUMBER

REV DRAWN

A MDC 29/11/13